



**ALWAYS IN MOTION
WITH FLOW COMPONENTS.**

FLOW4YOU

We at GEA keep your production flowing.
Our flow components assist you across the board for production of beverages, food and dairy products, medical and pharma products, cleaning agents and personal care products.
A committed team is by your side with extensive experience, a spirit of innovation, a love of technical detail and service which you can rely on at all times.

ALL FOR ONE.

Four areas for optimum flow.

GEA offers a comprehensive array of components across four product areas for smooth workflows in the processing of liquid products: hygienic valves, hygienic pumps, aseptic valves and cleaning technology. With their tailored, modular and hygienic design, our innovative technologies stand for flexibility, efficiency, safety and reliability.

Our team – keeping things moving for you.

You can rely on our dedicated and expert employees – such as those featured in this brochure: **Oliver Hader** works as a Product Sales Manager in the hygienic pump team and has been there for our customers as a pharma specialist for more than twelve years. As a Product Sales Manager in the area of cleaning technology, **Jana Zimpel** knows exactly how tank cleaners can preserve valuable resources, helping to protect the environment. **Linda Kottke** guarantees top quality as an engineer at the test center for hygienic valves. And as Head of Product Development in the aseptic valves area, **Aron Stauffer** has an eye not only on today's components, but also on the technologies of tomorrow. Representing all their co-workers, these four stand for what sets GEA apart – expertise, a hunger for innovation, and commitment!



Hygienic valve technology



Hygienic pump technology



Aseptic valve technology



Cleaning technology



Hygienic valve technology

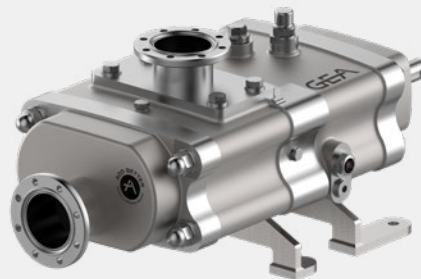
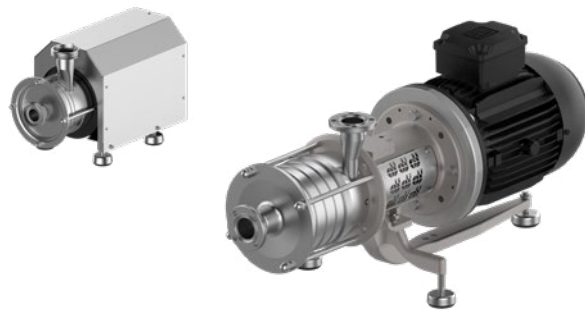
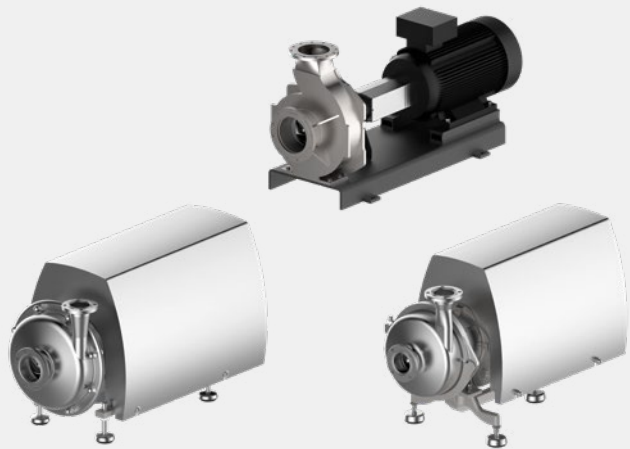
Test Engineer **Linda Kottke** has been with GEA since 2013. Working in the technical inspection department, she sees to it that all our hygienic valves and components meet the highest standards.

We offer:

- VARIVENT® seat valves
- VARIVENT® valves with a special function
- Hygienic butterfly valves
- VARICOVER® product recovery systems
- VARITOP® tank safety systems
- VARINLINE® process connections
- VARICOMP® expansion compensators
- T.VIS® control and feedback systems
- LoTo valve safety solutions



Hygienic pump technology



Oliver Hader is a Product Sales Manager and a GEA old hand. With his experience and expertise regarding our pumps, he has been providing our customers with the best possible advice regarding their requirements for more than twelve years.

We offer:

- Single-stage centrifugal pumps
GEA Hilge HYGIA/ H, GEA Hilge TP, GEA Hilge MAXA
- Multi-stage centrifugal pumps
GEA Hilge CONTRA, GEA Hilge DURIETTA
- Self-priming pumps
GEA Hilge SIPLA, GEA Hilge TPS
- Positive displacement pumps
GEA Hilge NOVALOBE, GEA Hilge NOVATWIN+



Aseptic valve technology

Aron Stauffer, who has been at GEA since 2009, works with his team to develop aseptic valves that meet the most stringent requirements.

We offer:

- D-tec® Stem diaphragm technology
- VESTA® PTFE bellows technology
- Aseptomag® stainless steel bellows technology
- Aseptomag® magnetic separators
- LoTo valve safety solutions
- T.VIS® control and feedback systems



Cleaning technology

Jana Zimpel has been a Product Sales Manager at GEA since 2015. Her primary focus is customer support, and her tasks include helping customers choose the right cleaning products for their needs. She also helps to develop the company's sustainability concept.

We offer:

- Static cleaners
- Free-rotating cleaners
- Slow-rotating cleaners
- Retractors
- Orbital cleaners
- Index cleaners



WE HAVE WHAT YOU NEED.

Thanks to their modular design, our process components are not only extremely flexible, but can also help you reduce your raw material and energy consumption.

Be it for beer, a plant-based beverage or a thirst-quenching long seller, our components make sure that every part of your beverage production runs optimally. High-quality implementation needs innovative approaches – and your requirements need our solutions!



Your products:

- Beer and beer-based beverages
- Plant-based beverages
- Soft drinks
- Fruit juices and fruit-based beverages
- Concentrates
- Beverages with fruit pulp
- Alcoholic beverages

Systematic hygiene concept at Schneider Weisse

Learn how the Schneider Weisse brewery was able to switch its production over to a systematic hygiene concept without any time loss or risks thanks to flexible GEA VARIVENT® technology.



SAFE AND SO DELICIOUS.

Our objectives are the same as yours: to satisfy the end customer. We offer components that meet the highest standards so that your customers can enjoy your products to the fullest.

So simple and so wonderfully practical – a portfolio for your entire production process. Our components meet the highest requirements in terms of hygiene, food safety and quality, while saving resources and raw materials. They enable safe and efficient processes wherever liquid products are processed and enhanced – from raw ingredient delivery through to aseptic filling.

Your products:

- Milk (fresh, ESL, UHT)
- Milk-based products
- Desserts
- Crystallizing products
- New food
- Sauces and creams
- Chocolate and ice cream
- Animal feed

Reliable quality at Vorarlberg Milch

Read up here how Vorarlberg Milch eGen automated its butter production and achieved higher, reliable and reproducible product quality.

SAFETY FOR PRODUCTION - AND CUSTOMERS.

It's safe to say that your top priority regarding your pharma production is maximum efficiency thanks to short cleaning times and high system availability. GEA's flow components are designed with precisely these objectives in mind.

The safety and efficiency of your pharma production are our top priority. The hygienic design of our FDA and GMP certified components enables efficient cleaning, ensuring shorter CIP and cleaning times. This allows you to boost your productivity while also achieving greater production sustainability as you will require both less cleaning agent and energy.



Your products:

- Vaccines
- Infusions
- Ointments
- Blood and blood plasma
- Nutrient solutions
- Enzymes
- Food ingredients

Maximum availability at Vetter Pharma

Dive into the world of our customers and read up on how Vetter Pharma-Fertigung GmbH & Co. KG can minimize its downtimes and guarantee maximum system availability thanks to sterile pumps.

MAKE A CLEAN START.

GEA has many years of experience processing demanding substances – including flammable, adhesive and highly viscous products. So we're sure to find just the right solution also for your application!



Your products:

- Body care and skincare
- Shampoo
- Lotions and creams
- Toothpaste
- Make-up
- Detergents
- Household cleaning products

Minimized cleaning times at Sapro

Learn how one of the world's leading producers of wet wipes, Sapro, was able not only to reduce its cleaning time by 90 percent with orbital cleaners, but also to minimize its consumption of water and cleaning products.

DON'T JUST DREAM ABOUT PROCESSES – REALIZE THEM.

Exactly the way you want them. The unlimited selection, adaptation and combination of options offered by our portfolio mean you can realize all your process ideas with GEA components.



OUR OFFER: YOUR FREEDOM.

We know how important maximum flexibility is to you. That's why we have developed an innovative, modular component system that gives you as much freedom as possible, while still providing product safety and process reliability in the production of liquid media with every component selected. In a nutshell, our flow components are not only safe and sustainable, but also as simple as Lego®.

Lisa Klaumünzer has been working at GEA since 2008.

As a product manager for hygienic valves, she makes sure that all areas, from product development to successful application of the components in your processing system, will mesh seamlessly. She stays abreast of the latest market requirements and uses this knowledge to further develop our portfolio of valves so that you can realize safe and efficient processes and achieve optimum results.

Learn here how flexible **Lisa Klaumünzer** is and why this also benefits your production.

Going with the flow:
a short interview

What do you enjoy the most about your job?

"I enjoy collaborating with all kinds of people again and again, be it internally or with customers, and tackling the work together with others rather than working away on my own."

What, in your opinion, makes GEA Flow Components so flexible?

"It serves as a one-stop shop. There's no need to go to ten different suppliers – you can get everything you need from the same manufacturer and you can rest assured that it will all fit together."

ACTING SUSTAINABLY MEANS SAVING IN THE RIGHT PLACES.

GEA is aiming to reduce its greenhouse gas emissions to zero by 2040. For you to be able to make your production systematically more sustainable too, our durable pumps, valves and cleaners have been developed in such a way that they make considerable water and energy savings possible. We practice sustainability internally too, with recycling programs, electric mobility and a mindful use of resources.



THE GREEN LIGHT FOR INNOVATIVE TECHNOLOGY.

Good for the environment and for sales. For us, this is what drives and motivates us; it is our mission. Sustainability can be practiced truly only if all areas think and act sustainably.

Sustainability has many faces at GEA.

Fleet Manager **Dirk Wrobel** keeps GEA's electric mobility fleet on course for achieving zero emissions at the local level. Working as a product specialist for valve automation, **Ulf Stuhlmacher** advises and teaches customers about small details that have a big impact on the optimized use of resources. Product Sales Manager **Jana Zimpel** helps you achieve your sustainability targets with the right cleaning technology.

Long-standing employee and safety environment quality manager **Albrecht Gulba** concentrates his attention on medium- and long-term goals and developments. This team of four represents all the co-workers who jointly shape the image of a company that thinks not only about today, but also about tomorrow and then acts accordingly – for a better future.

SAFETY FIRST – FOR YOUR PRODUCTS AND YOUR TEAM.

Safety is essential to all hygienic production processes and is a complex matter – because hygiene and safety requirements are becoming more strict. For decades, GEA has been the first choice when process components need to be adapted to new requirements. We combine our knowledge in the areas of product safety, process reliability and occupational health and safety to offer you a crucial advantage!



Simon Anderson runs the test center in Büchen.

His team works closely with the development departments and serves as the internal inspection body. The technical inspection department examines the design of new products at the development stage as well as improvements of existing products. The team also supports the Claim Management department.

Read here how **Simon Anderson** can contribute to your production safety.

Going with the flow: a short interview

What do you enjoy the most about your work?

“The collaboration with my co-workers – we’re a great team! Solving problems together. Specifically in terms of my job, it’s great that the company attaches such importance to safety – of the customers’ products as well as of its own employees.”

What does your day-to-day work involve?

“I have a lot of office-based work to do, but I do also pick up our components myself from time to time to engage in some hands-on work. This keeps me up to date on our products and our customers.”

OPTIMUM PROTECTION FOR YOUR PROCESSES.

Stay one step ahead of the ever stricter safety and hygiene requirements – thanks to our innovative process components that meet even the most stringent of requirements!

Here are just a few of the benefits of our components when it comes to the safety of both your product and workforce:

- Our systematically hygienic valves prevent any mixing of incompatible media.
- Our aseptic valves feature hermetic seal elements that keep your production process sterile.
- Our hygienic pumps have a design which is free of dead space and which also has non-porous surfaces.
- Our lockout/tagout (LoTo) safety solutions protect your employees from accidents during maintenance work.



**TRUST US WHEN
WE SAY WE SEE
OUR CUSTOMERS AS
PARTNERS.**

The sign of a good and stable partnership is support – especially when you need it! Only then can a relationship founded on trust be built. Therefore, we make every effort to ensure that the trust you place in us pays off, supporting you both before and after you purchase our components with a variety of long-term services that are tailored to your needs.



FLOW ON, STRESS OFF.

To make sure you can achieve the best possible result, we are here for you even after installation of our long-lasting components and for the duration of their service life. We will assist you with repair, maintenance, inspection and optimization of your components.

Pavitra Badiger has been with GEA since 2013.

The qualified mechanical engineer has been working as a Service Product Manager since 2021 and is responsible for GEA Flow Components' global service.

Going with the flow: a short interview

What do you enjoy the most about your job?

"The challenge! In day-to-day work, it's important that you have something you can be passionate about, so that you don't get into a rut. I love the fact that I am presented with unique challenges again and again."

Your advice in order to always go with the flow?

"Stay on top of things and don't allow yourself to be distracted or thrown off track by ups and downs. Stay calm and remain focused."

Find out what **Pavitra Badiger** can contribute to your production flow here.

Our service for you:

- In training sessions and workshops held either on-site or online, you will learn everything you need to know about our components.
- We will supply you with high-quality spare parts and will perform maintenance and inspections upon request – for an uninterrupted production flow and components with as long a service life as possible.
- We also offer online support, putting you in direct contact with one of our professionals who can immediately offer advice if needed.

GEA Tuchenhagen GmbH

Am Industriepark 2-10
21514 Büchen, Germany
Tel +49 4155 49-0
Fax +49 4155 2035

gea.com/flowcomponents